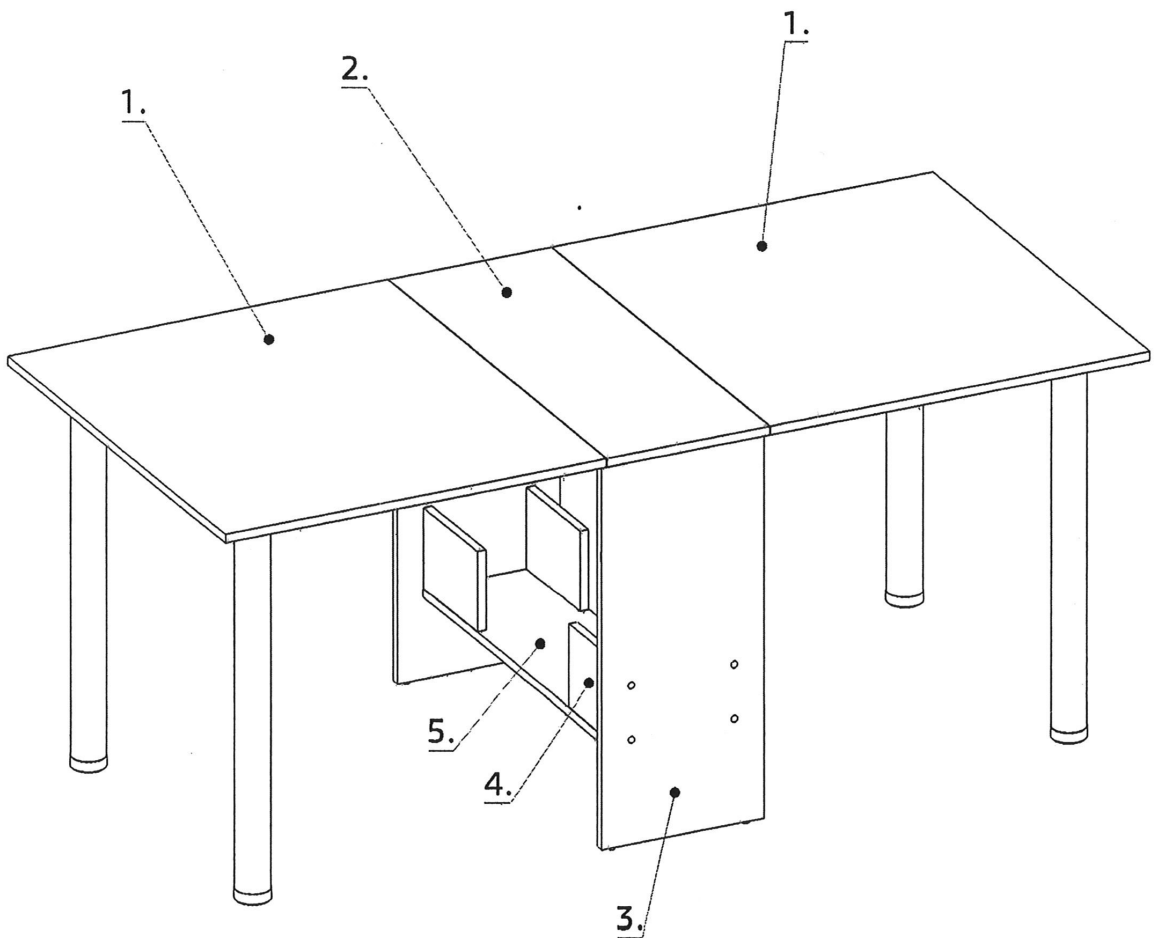
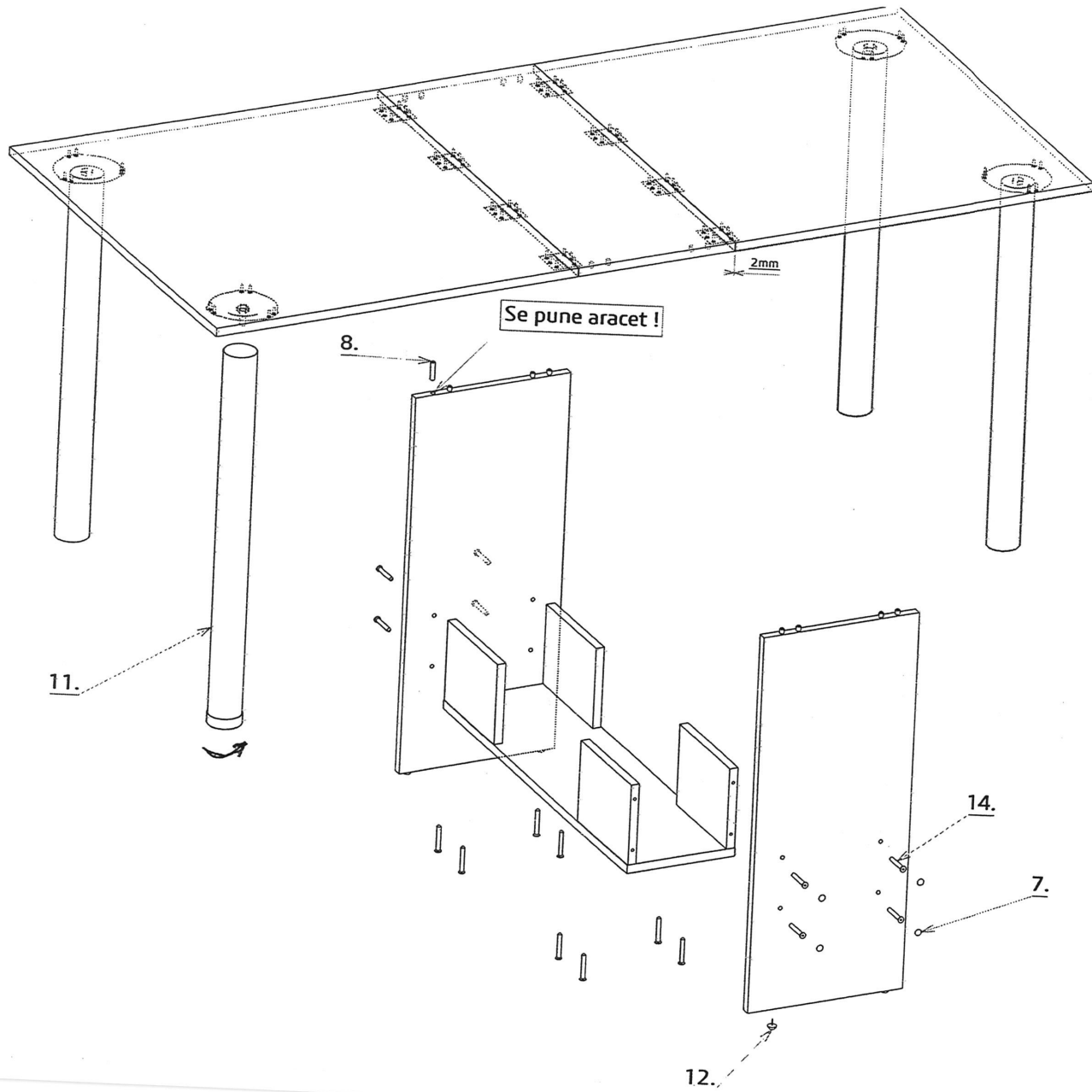


Masa Pianta LUX - Schita Montaj

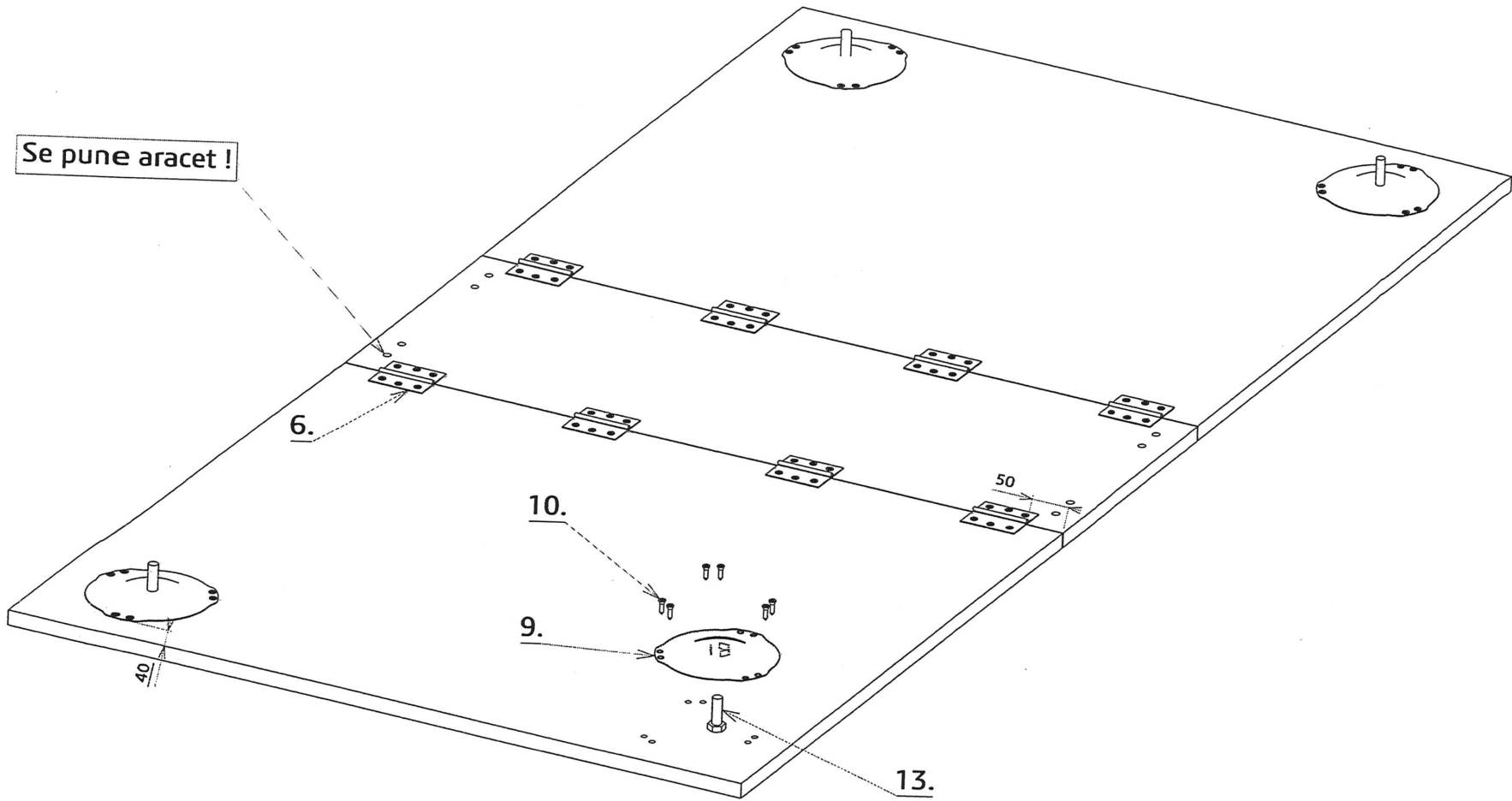
INDEX	REPER	GROSIME	LUNGIME	LATIME	NB.
1	Blat	16	810	700	2
2	Blat	16	810	300	1
3	Perete lateral	16	710	300	2
4	Perete mic	16	200	150	4
5	Polita	16	738	208	1

INDEX	REPER	NB.
6	Balama pafta	8
7	Capac mascare ericson	8
8	Cep lemn 8x35mm	8
9	Flansa	4
10	Holzsurub 3.5x16mm	72
11	Picior 710mm	4
12	Picior tip "Tinta"	4
13	Surub	4
14	Surub confirmator (Ericson 7x50)	16
15	Aracet	100 gr





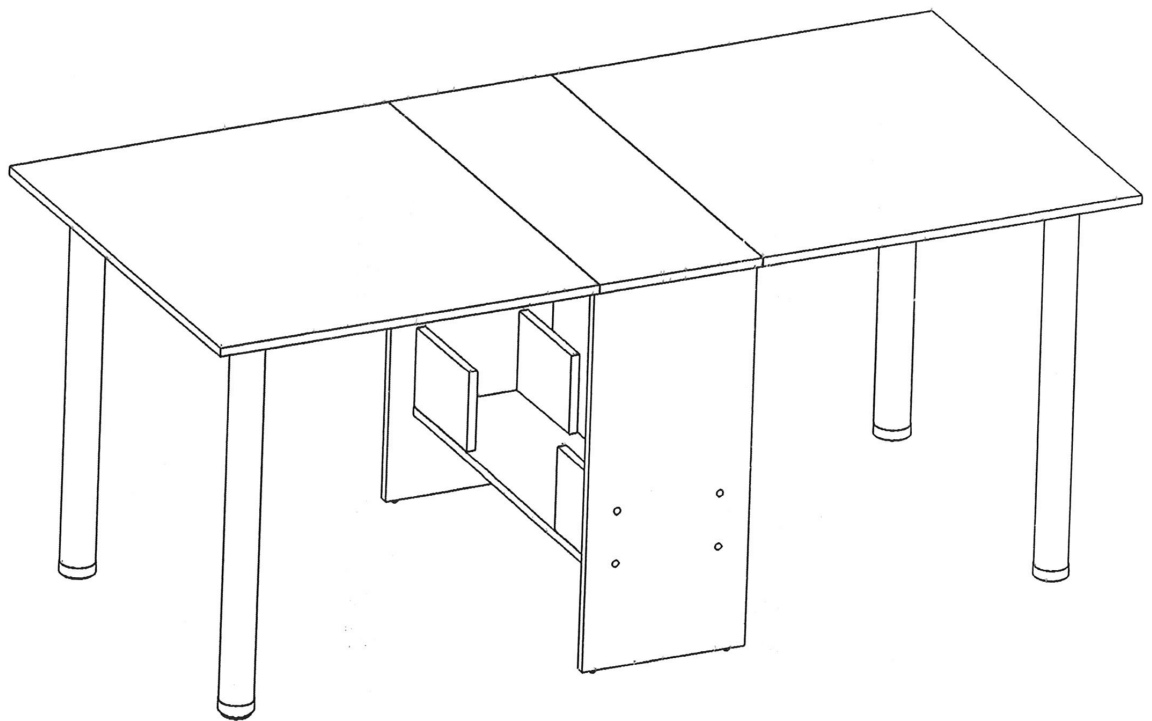
Se pune aracet !



Masa Plianta Lux

MATERIAL	BUC.
Aracet	100 gr
Balama pafte	8
Capac mascare ericson	8
Cep lemn 8x35mm	8
Holzsurub 3.5x16mm	72
Picior 710mm	4
Picior tip "Tinta"	4
Surub confirmator (Ericson 7x50)	16

abs 0,4x22 : 16 ml



Masa Pianta Lux

MATERIAL	GROSIME	LUNGIME	CANT_LU	LATIME	CANT_LA	BUC.
Blat	16	810	2	700	2	2
Blat	16	810	2	300	2	1
Perete lateral	16	710	2	300	-	2
Perete mic	16	200	1	150	1	4
Polita	16	738	2	208	-	1

