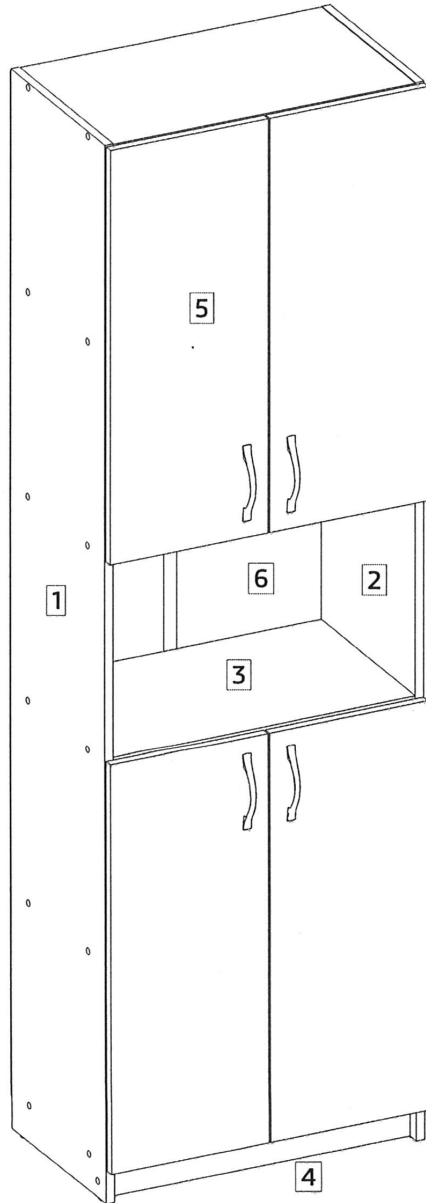


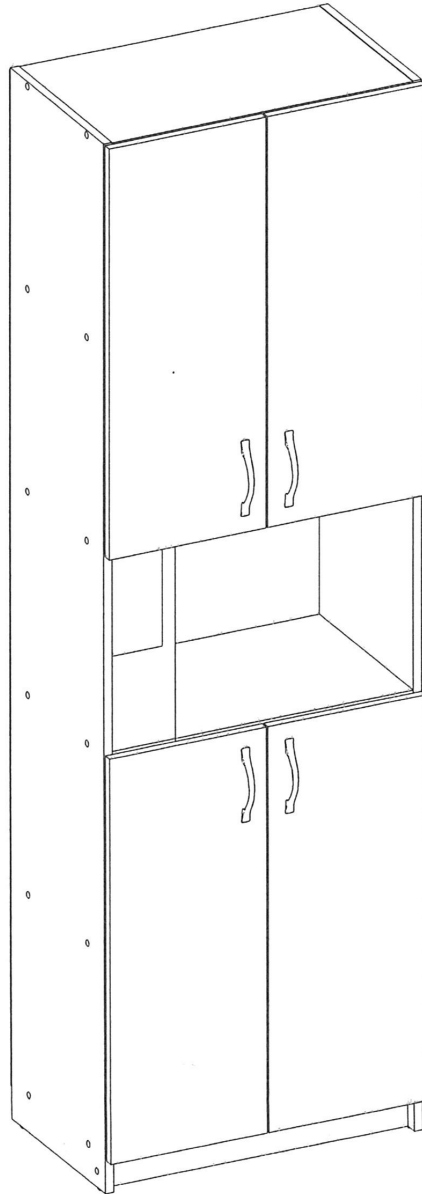
Dulap KSC 5 - Schita Montaj

INDEX	REPER	GROSIME	LUNGIME	LATIME	NB.	INDEX	REPER	NB.
1	Perete lateral stanga	16	1952	352	1	7	Balama aplicata	8
2	Perete lateral dreapta	16	1952	352	1	8	Capac mascare ericson	26
3	Polita	16	568	352	6	9	Holzsurub 3.5x16mm	32
4	Lezena	16	568	60	1	10	Maner 96mm	4
5	Usa	16	760	297	4	11	Picior tip "tinta"	4
6	PFL	3	1887	298	2	12	Profil imbinare PFL	1
						13	Surub M4x20	8
						14	Surub confirmator (ericson 7x50mm)	26
						15	Tinte	68

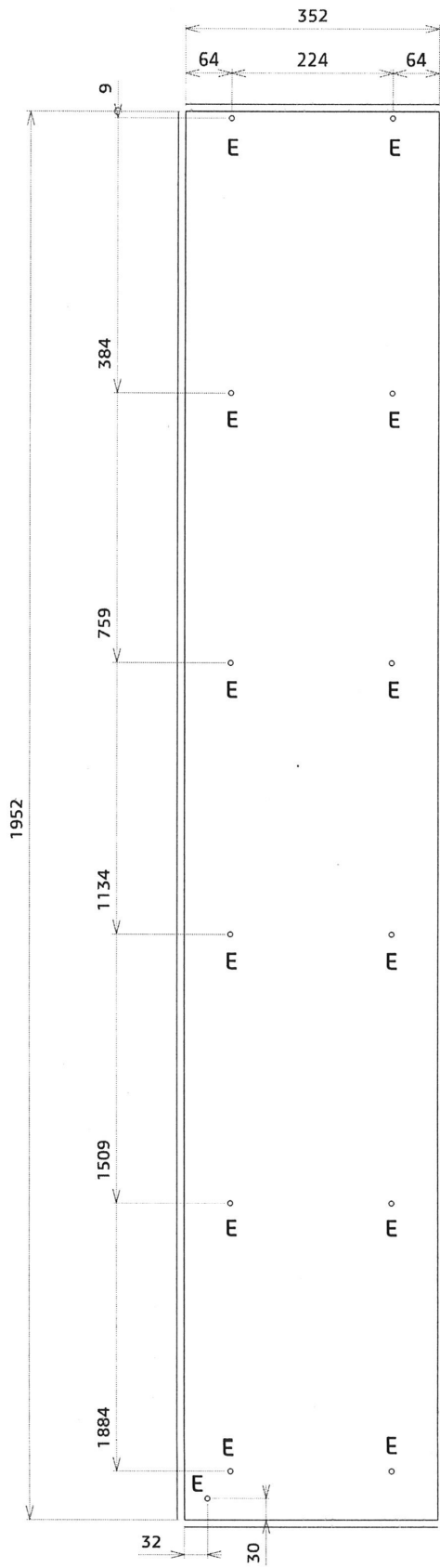


Dulap KSC 5 - Croit

MATERIAL	GROSIME	LUNGIME	CANT_LU	LATIME	CANT_LA	BUC.
Lezena	16	568	1	60	-	1
Perete lateral dreapta	16	1952	1	352	2	1
Perete lateral stanga	16	1952	1	352	2	1
Polita	16	568	1	352	-	6
Usa	16	760	2	297	2	4
x PFL	3	1887	-	298	-	2

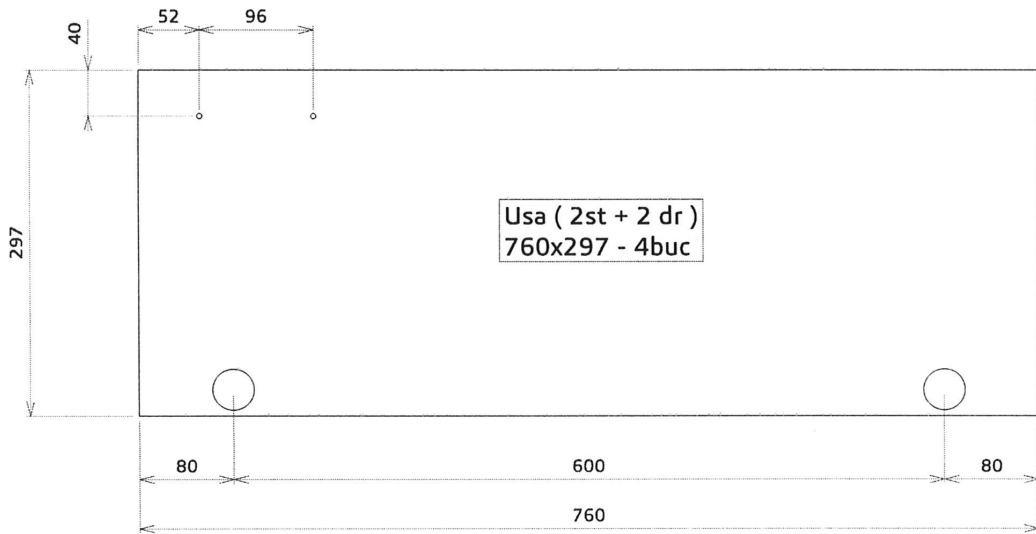
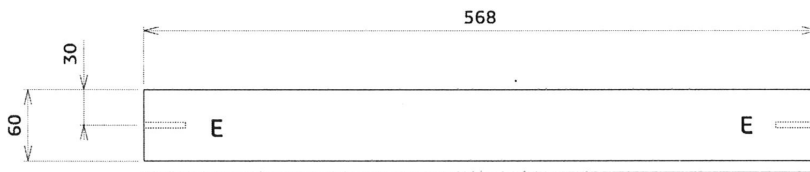
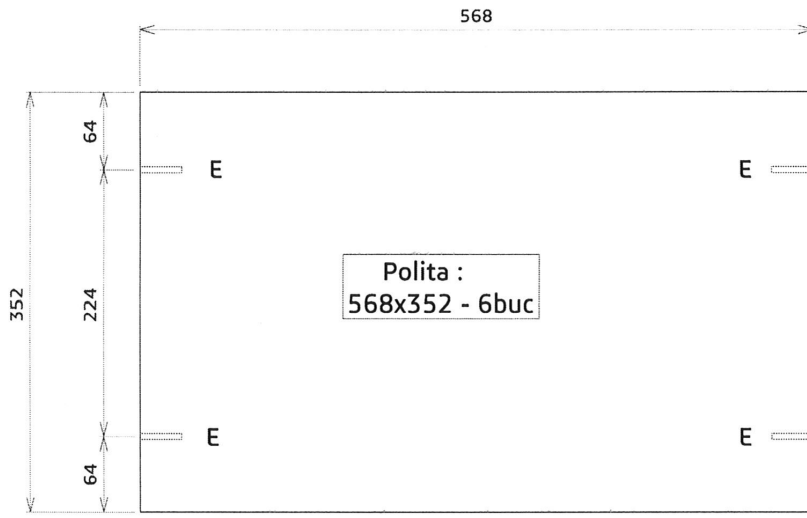


Dulap KSC 5



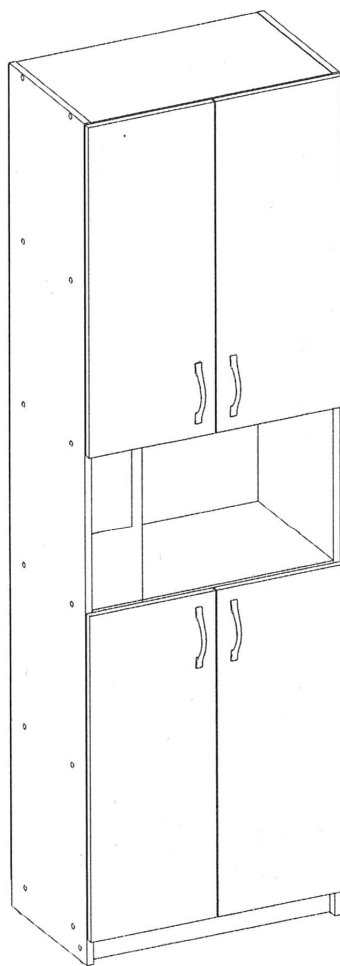
Perete lateral :
1952x352 - 2buc (st-dr)

Dulap KSC 5



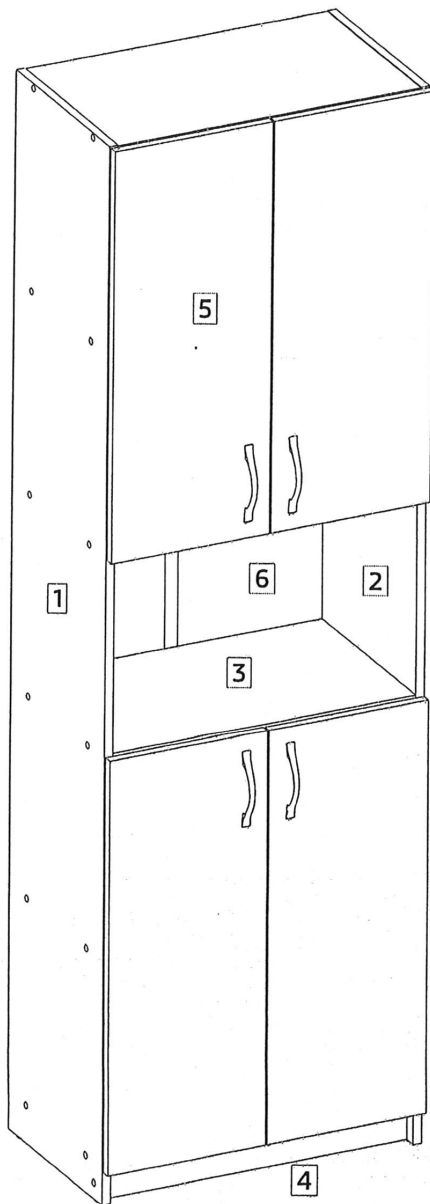
Dulap KSC 5 - Accesorii

MATERIAL	BUC.
Balama aplicata	8
Capac mascare ericson	26
Holzsurub 3.5x16mm	32
Maner 96mm	4
Picior tip "tinta"	4
Profil imbinare PFL L=186cm	1
Surub M4x20	8
Surub confirmator (ericson 7x50mm)	26
Tinte	68

abs 0.4x22 : 20ml

Dulap KSC 5 - Schita Montaj

INDEX	REPER	GROSIME	LUNGIME	LATIME	NB.	INDEX	REPER	NB.
1	Perete lateral stanga	16	1952	352	1	7	Balama aplicata	8
2	Perete lateral dreapta	16	1952	352	1	8	Capac mascare ericson	26
3	Polita	16	568	352	6	9	Holzsurub 3.5x16mm	32
4	Lezena	16	568	60	1	10	Maner 96mm	4
5	Ușa	16	760	297	4	11	Picior tip "tinta"	4
6	PFL	3	1887	298	2	12	Profil imbinare PFL	1
						13	Surub M4x20	8
						14	Surub confirmator (ericson 7x50mm)	26
						15	Tinte	68



Dulap KSC 5 - Accesorii

MATERIAL	BUC.
Balama aplicata	8
Capac mascare ericson	26
Holzsurub 3.5x16mm	32
Maner 96mm	4
Picior tip "tinta"	4
Profil imbinare PFL L=186cm	1
Surub M4x20	8
Surub confirmator (ericson 7x50mm)	26
Tinte	68

abs 0.4x22 : 20ml