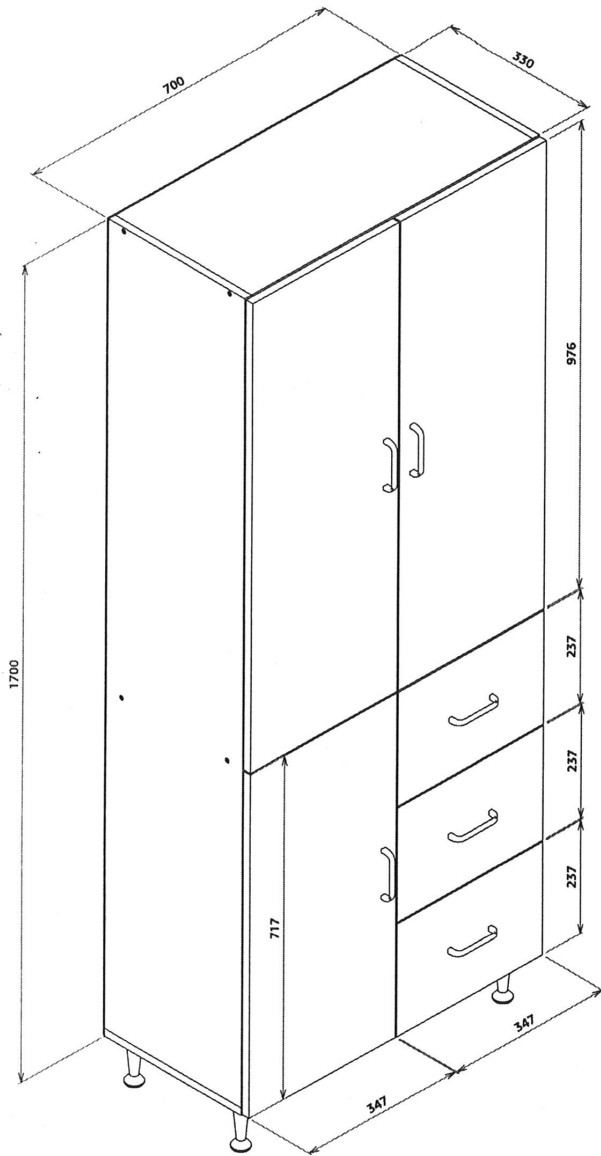
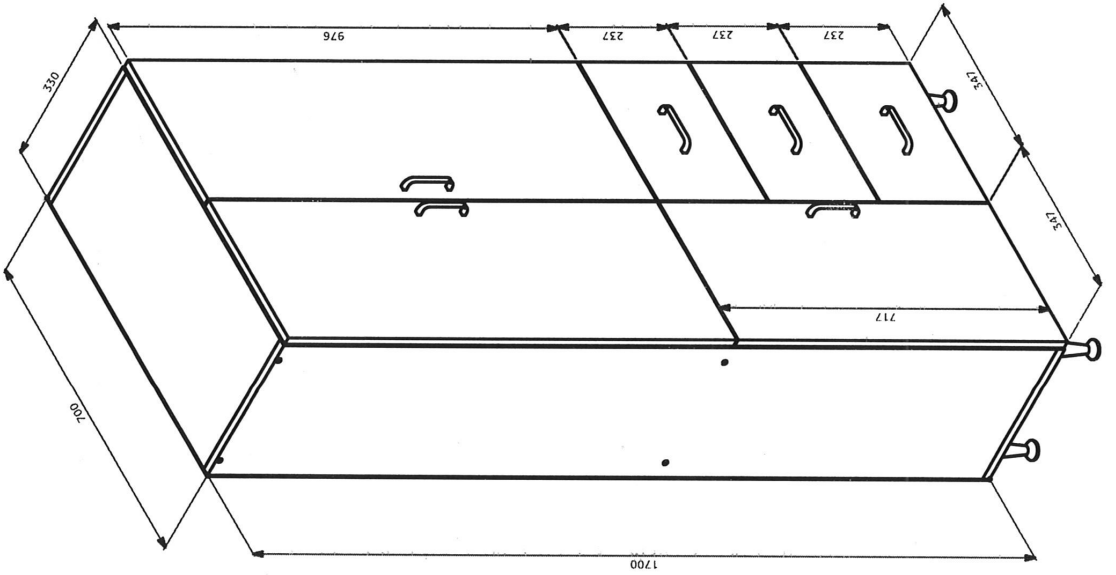


Schita montaj - Dulap 70 - 3U+3S



REPER	LUNGIME	LATIME	NB.
. PFL Sertar	301	300	3
. PFL Spate	976	348	2
. PFL Spate	721	348	2
Adaos sertar	269	138	6
Fata sertar	237	347	3
Intermediar	698	330	1
Laterala sertar	300	138	6
Perete lateral	1684	330	2
Polita Mobila	668	320	2
Polita Mobila	326	320	1
Polita fixa	668	330	2
Soclu	700	330	1
Usa	976	347	2
Usa	717	347	1
x - Tinte	21	3	80

ACCESORII	NB.
x - Balama	8
x - Cheie imbus	1
x - Glisiera	3
x - Holzsurub 3.5x16	72
x - Holzsurub 3.5x25	6
x - Maner 96mm	6
x - Picior H100	4
x - Profil imbinare PFL L=954mm	1
x - Suport polita (diblu zinc)	12
x - Surub confirmare (ericson 7x50)	40
x - Surub maner M4x20	6
x - Surub maner M4x35	6
x - Tinte	80



REPER	LUNGIME	LATIME	NB.
. PFL Sertar	301	300	3
. PFL Spate	976	348	2
. PFL Spate	721	348	2
Adaos sertar	269	138	6
Fata sertar	237	347	3
Intermediar	698	330	1
Laterala sertar	300	138	6
Perete lateral	1684	330	2
Polita Mobila	668	320	2
Polita Mobila	326	320	1
Polita fixa	668	330	2
Soclu	700	330	1
Usa	976	347	2
Usa	717	347	1
x - Tinte	21	3	80
ACCESORII			
x - Balama Aplicata			8
x - Chezie imbus			1
x - Glisiera bila 300mm			3
x - Holzsurub 3.5x16			72
x - Holzsurub 3.5x25			6
x - Maner 96mm			6
x - Picior H100			4
x - Profil imbinare PFL L=954mm			1
x - Suport palita (alblu zinc)			12
x - Surub confirmare (ericson 7x50)			40
x - Surub maner M4x20			6
x - Surub maner M4x35			6
x - Tinte			80

